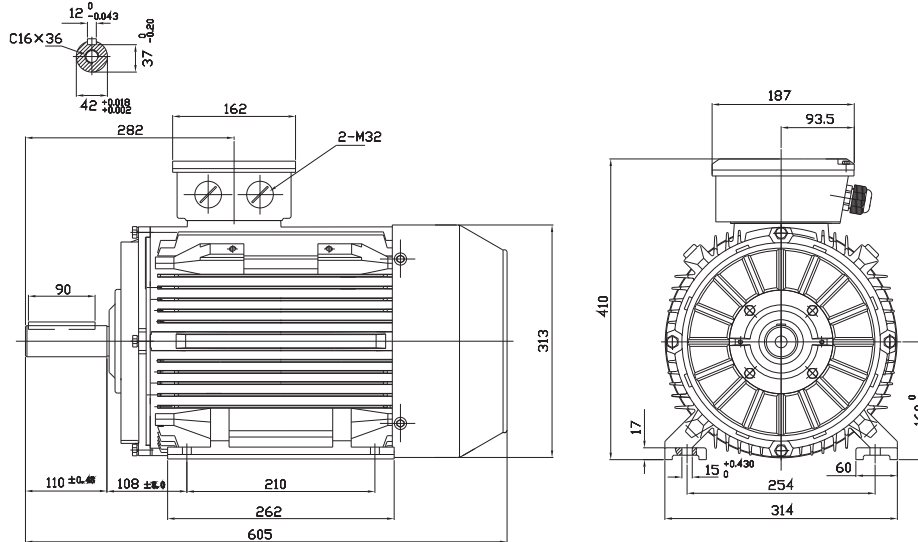


Type T3C 160M1-2

Cod. R160M211,03B5C00000T

Mounting position

IM	B3
IM	1001



Electrical data			
Rated motor power	11		Kw
Rated motor speed	2930		min ⁻¹ 50Hz
	3520		min ⁻¹ 60Hz
Rated motor frequency	50		Hz
Rated motor voltage(+/-10%)	400		VΔ/50Hz
	690		VY/50Hz
	480		VΔ/60Hz
	830		VY/60Hz
Rated motor torque	35.87		Nm (Mn)
Rated motor current	19.34	VΔ/50Hz	A (In)
	11.18	VY/50Hz	A (In)
Starting motor current	9.5		xIn
Starting motor torque	2.5		xMn
Breakdown motor torque	3		xMn
Starting			D.O.L.
Efficiency class	IE3		
Efficiency	50Hz	60Hz	
	91.2	91	100% load
	93.8	91.7	75% load
	93	90.3	50% load
Power factor cosφ	0.9	0.9	100% load

General data		
Frame size	160	
Mounting	B3	
Weight	114.8	Kg
Casing material	Cast iron	
Protection	IP	55
Insulation class	H	
Tropicalization	Yes	
Vibration class	A	
Duty	S1	
Direction of rotation	Bidirectional	
Method of cooling	IC	411
Cable entry	2-M32x1,5+1M16x1,5	
Standards	IEC/DIN/ISO/VDE/EN	
Execute at Standard	IEC 60034-1	
Feet removable	Yes	
Paintwork	RAL 7024	Standard
Thermal protections	n/a	

Site conditions	
Ambient temperature	from -20°C to +40°C
Altitude above sea level	1000 m

Mechanical data						
Noise level	LpA	75	dB(A)	Bearing DE side	6309ZZ-C3	
	LwA	84	dB(A)	Bearing NDE side	6309ZZ-C3	
Moment of inertia	0.05178		Kgm ²	Average bearing lifetime	40000 h	
Bearings type			NSK	Relubrication interval L1 DE bearing	12000 h	
Lubricants for bearings	See installation and maintenance manual			Relubrication interval L1 NDE bearing	12000 h	
				Compensation ring		NDE SIDE standard

There may be differences between rating plate and calculated values.