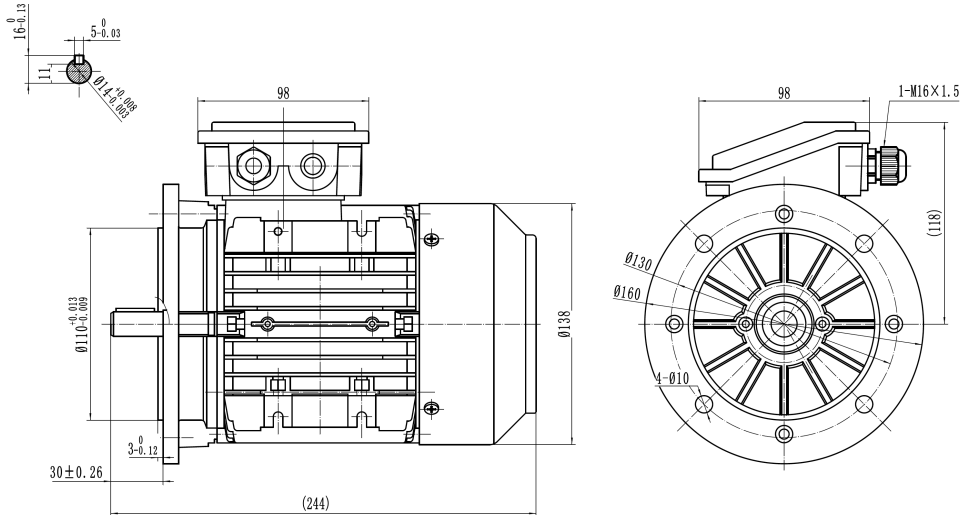


Type T2A 711-2

Cod. I071Y20,375A5A00000T

Mounting position

| | |
|----|------|
| IM | B5 |
| IM | 3001 |



| Electrical data | | | | General data | | | |
|-----------------------------|---|---------|---------------------------------------|--------------------------------------|---------------------|----------|----|
| Rated motor power | 0.37 | | Kw | Frame size | 71 | | |
| Rated motor speed | 2820 | | min ⁻¹ 50Hz | Mounting | B5 | | |
| | 3385 | | min ⁻¹ 60Hz | Weight | - | | Kg |
| Rated motor frequency | 50 | | Hz | Casing material | Aluminum | | |
| Rated motor voltage(+/-10%) | 230 | | VΔ/50Hz | Protection | IP | 55 | |
| | 400 | | VY/50Hz | Insulation class | H | | |
| | 280 | | VΔ/60Hz | Tropicalization | Yes | | |
| | 480 | | VY/60Hz | Vibration class | A | | |
| Rated motor torque | 1.25 | | Nm (Mn) | Duty | S1 | | |
| Rated motor current | 1.68 | VΔ/50Hz | A (In) | Direction of rotation | Bidirectional | | |
| | 0.97 | VY/50Hz | A (In) | Method of cooling | IC | 411 | |
| Starting motor current | 5 | | xIn | Cable entry | 1-M20x1,5 | | |
| Starting motor torque | 2 | | xMn | Standards | IEC/DIN/ISO/VDE/EN | | |
| Breakdown motor torque | 2.2 | | xMn | Execute at Standard | IEC 60034-1 | | |
| Starting | | | D.O.L. | Feet removable | Yes | | |
| Efficiency class | IE2 | | | Paintwork | RAL 7024 | Standard | |
| Efficiency | 50Hz | 60Hz | | Thermal protections | n/a | | |
| | 70 | - | 100% load | | | | |
| | 66.3 | - | 75% load | | | | |
| | 62 | - | 50% load | | | | |
| Power factor cosφ | 0.79 | - | 100% load | | | | |
| Mechanical data | | | | Site conditions | | | |
| Noise level | LpA | 75 | dB(A) | Ambient temperature | from -20°C to +40°C | | |
| | LwA | 84 | dB(A) | Altitude above sea level | 1000 m | | |
| Moment of inertia | 0.00037 | | Kgm ² | | | | |
| Bearings type | | | NSK | | | | |
| Lubricants for bearings | See installation and maintenance manual | | | Bearing DE side | 6202-2RS-C3 | | |
| | | | | Bearing NDE side | 6202-2RS-C3 | | |
| | | | | Average bearing lifetime | 40000 | h | |
| | | | | Relubrication interval L1 DE bearing | life | h | |
| | | | Relubrication interval L1 NDE bearing | life | h | | |
| | | | Compensation ring | NDE SIDE | standard | | |

There may be differences between rating plate and calculated values.