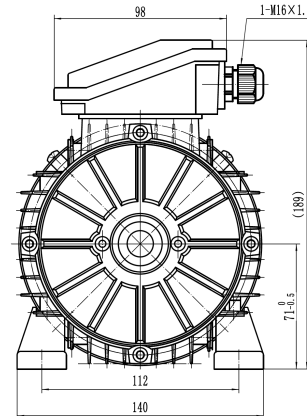
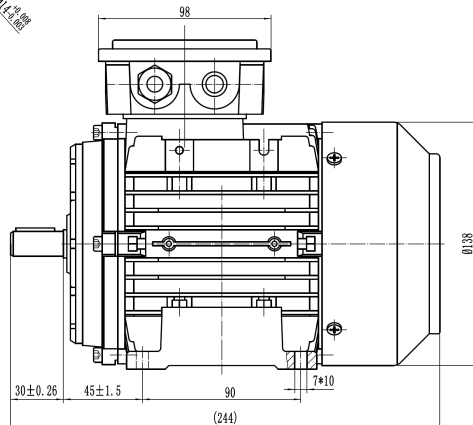
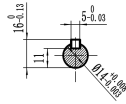


Type T2A 712-4

Cod. I071Y40,373A5A00000T

Mounting position

IM	B3
IM	1001



Electrical data			
Rated motor power	0.37		Kw
Rated motor speed	1400		min ⁻¹ 50Hz
	1680		min ⁻¹ 60Hz
Rated motor frequency	50		Hz
Rated motor voltage(+/-10%)	230		VΔ/50Hz
	400		VY/50Hz
	280		VΔ/60Hz
	480		VY/60Hz
Rated motor torque	2.52		Nm (Mn)
	1.75	VΔ/50Hz	A (In)
Rated motor current	1.01	VY/50Hz	A (In)
	4.7		xIn
Starting motor torque	2.4		xMn
Breakdown motor torque	2.5		xMn
Starting			D.O.L.
Efficiency class	IE2		
Efficiency	50Hz	60Hz	
	72.7	-	100% load
	73	-	75% load
	69.2	-	50% load
Power factor cosφ	0.73	-	100% load

General data		
Frame size	71	
Mounting	B3	
Weight	6.3	Kg
Casing material	Aluminum	
Protection	IP	55
Insulation class	H	
Tropicalization	Yes	
Vibration class	A	
Duty	S1	
Direction of rotation	Bidirectional	
Method of cooling	IC	411
Cable entry	1-M20x1,5	
Standards	IEC/DIN/ISO/VDE/EN	
Execute at Standard	IEC 60034-1	
Feet removable	Yes	
Paintwork	RAL 7024	Standard
Thermal protections	n/a	

Site conditions	
Ambient temperature	from -20°C to +40°C
Altitude above sea level	1000 m

Mechanical data						
Noise level	LpA	67	dB(A)	Bearing DE side	6202-2RS-C3	
	LwA	76	dB(A)	Bearing NDE side	6202-2RS-C3	
Moment of inertia	0.00082		Kgm ²	Average bearing lifetime	40000 h	
Bearings type			NSK	Relubrication interval L1 DE bearing	life h	
Lubricants for bearings	See installation and maintenance manual			Relubrication interval L1 NDE bearing	life h	
				Compensation ring		NDE SIDE standard

There may be differences between rating plate and calculated values.