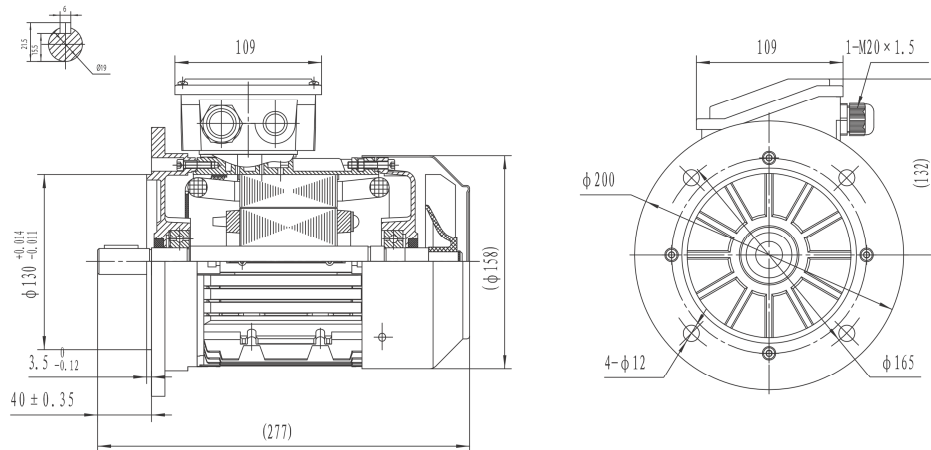


Type T3A 802-4

Cod. R080Y40,755A5A00000T

Mounting position

IM	B5
IM	3001



Electrical data			
Rated motor power	0.75		Kw
Rated motor speed	1430		$\text{min}^{-1}$ 50Hz
	1720		$\text{min}^{-1}$ 60Hz
Rated motor frequency	50		Hz
Rated motor voltage(+/-10%)	230		V $\Delta$ /50Hz
	400		VY/50Hz
	280		V $\Delta$ /60Hz
	480		VY/60Hz
Rated motor torque	5.01		Nm (Mn)
Rated motor current	3.13	V $\Delta$ /50Hz	A (In)
	1.81	VY/50Hz	A (In)
Starting motor current	6.3		xIn
Starting motor torque	3.1		xMn
Breakdown motor torque	3.1		xMn
Starting			D.O.L.
Efficiency class	IE3		
Efficiency	50Hz	60Hz	
	82.5	82.5	100% load
	83	81.9	75% load
	80.1	81.3	50% load
Power factor $\cos\phi$	0.73	0.73	100% load

General data		
Frame size	80	
Mounting	B5	
Weight	11.85	Kg
Casing material	Aluminum	
Protection	IP	55
Insulation class	H	
Tropicalization	Yes	
Vibration class	A	
Duty	S1	
Direction of rotation	Bidirectional	
Method of cooling	IC	411
Cable entry	1-M20x1,5	
Standards	IEC/DIN/ISO/VDE/EN	
Execute at Standard	IEC 60034-1	
Feet removable	Yes	
Paintwork	RAL 7024	Standard
Thermal protections	n/a	

Site conditions	
Ambient temperature	from -20°C to +40°C
Altitude above sea level	1000 m

Mechanical data						
Noise level	LpA	70	dB(A)	Bearing DE side	6204-2RS-C3	
	LwA	79	dB(A)	Bearing NDE side	6204-2RS-C3	
Moment of inertia	0.00229		Kgm <sup>2</sup>	Average bearing lifetime	40000 h	
Bearings type			NSK	Relubrication interval L1 DE bearing	life h	
Lubricants for bearings	See installation and maintenance manual			Relubrication interval L1 NDE bearing	life h	
				Compensation ring		NDE SIDE standard

There may be differences between rating plate and calculated values.