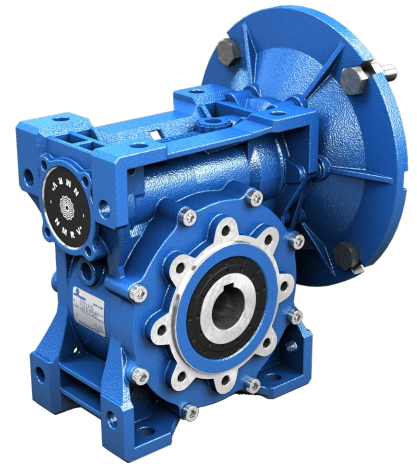


PRODUCT DATASHEET

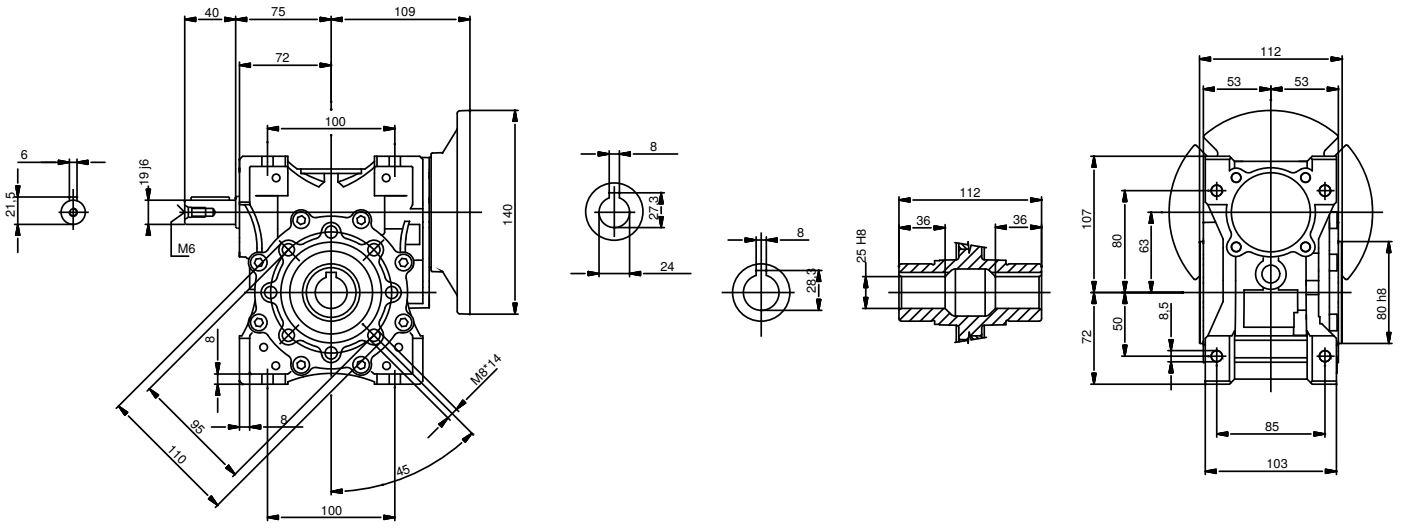


WORMGEARREDUCER

DATE 09.09.2021

| CHARACTERISTIC | VALUE |
|----------------------------|---------------------|
| Regulations | No |
| Worm | NMRV Power |
| Size | 063 |
| Ratio (i) | 20,0 |
| Input Dim. | Ø140x24 (IEC90 B14) |
| Hollow Output Shaft Dim. | Ø25 |
| Double-Extended Worm Shaft | No |
| Mounting Position | U |
| VI-Output Oil Seal | NBR-Nitrile |
| VI-Input Oil Seal | ACM-Polyacrylate |
| VI-Output Bearings | Ball Bearings |
| VI-Lubrication | Eni Telium VSF 320 |
| Paint | Ral 5010 Blue |

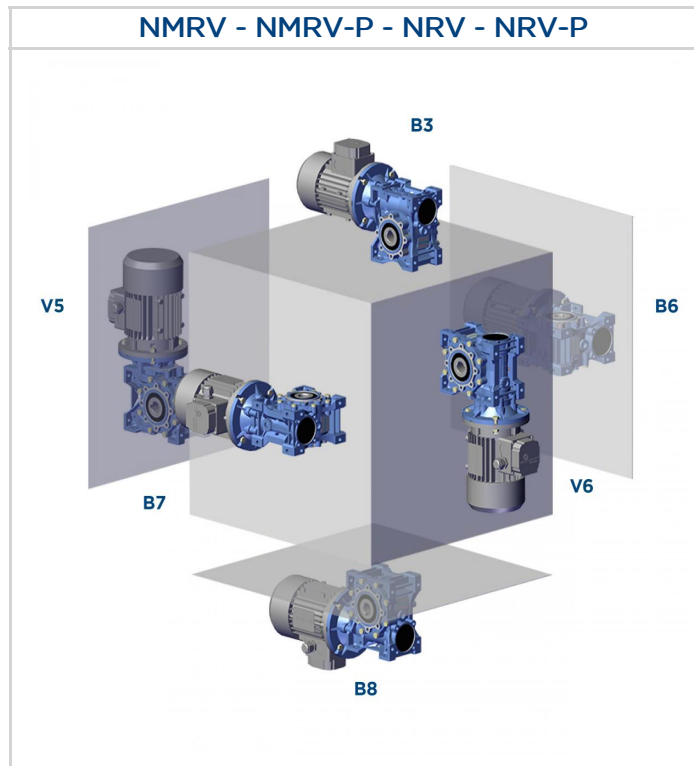
Values expressed in [mm]



NRV-P063

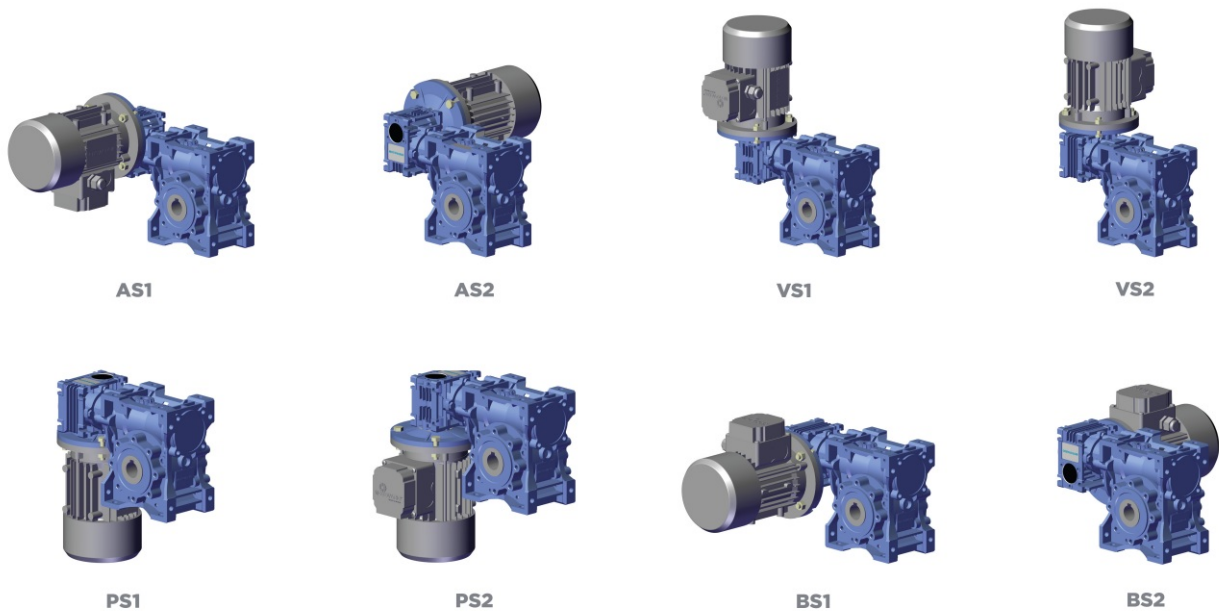
| n1 [rpm] | Mn ₂ [Nm] | i | Pn ₁ [kW] | n2 [rpm] | Fr1 [N] | Fr2 [N] |
|-------------|-------------------------|-------|-------------------------|-------------|------------|------------|
| 500 | 194 | 20,00 | 0,68 | 25,0 | 700 | 4611 |
| 900 | 163 | 20,00 | 0,99 | 45,0 | 700 | 3791 |
| 1140 | 154 | 20,00 | 1,14 | 57,0 | 700 | 3504 |
| 1400 | 146 | 20,00 | 1,30 | 70,0 | 700 | 3272 |
| 1750 | 138 | 20,00 | 1,53 | 88,0 | 700 | 3037 |
| 2800 | 104 | 20,00 | 1,80 | 140,0 | 556 | 2597 |

The mounting position of the gear unit identifies its space orientation. B3 mounting position, as from a technical point of view, ensures lower oil splash, better lubrication and less heating.



Execution

NMRV/NMRV-P+NMRV/NMRV-P - NRV/NRV-P+NMRV/NMRV-P



- The gear reducers size 025 - 030 - 040 - 050 - 063 - 075 - 090 - 105 - 110 - 130 - 150 are supplied complete with lubricant for life, synthetic oil, ENI TELIUM VSF. They can be mounted in any position envisaged in the catalogue, except for NMRV 090 - 110 and NRV 075-090-110 for which you must to specify the mounting position.
- For sizes 130 and 150 it is necessary to specify the position, otherwise the gear reducers are supplied with the quantity of oil relating to pos. B3.
- Only reduction units 130 and 150 are fitted with breather, level and oil drainage plugs.
- The pre-stage helical modules are supplied complete with life-long lubricant, synthetic oil, ENI TELIUM VSF. Lubrication is separated from that of the worm gear reducers.

It is recommended, after installation, to replace the closed plug used for transportation with the supplied breather plug.

Quantity of oil in litres -

| NMRV | 025 | 030 | 040 | 050 | 130 | 150 |
|-------|------|------|------|------|-----|-----|
| B3 | 0,02 | 0,04 | 0,08 | 0,15 | 4,5 | 7 |
| B8 | | | | | 3,3 | 5,1 |
| B6-B7 | | | | | 3,5 | 5,4 |
| V5 | | | | | 4,5 | 7 |
| V6 | | | | | 3,3 | 5,1 |

| NMRV-P | 063 | 075 | 090 | 110 |
|--------|------|------|------|-----|
| B3 | 0,33 | 0,55 | 1,15 | 1,6 |
| B8 | | | | |
| B6-B7 | | | | |
| V5 | | | | |
| V6 | | | | |

| SW | 030 | 040 | 050 | 063 | 075 | 090 | 105 |
|-------|------|------|------|-----|------|-----|-----|
| B3 | 0,04 | 0,08 | 0,15 | 0,3 | 0,55 | 1 | 1,6 |
| B8 | | | | | | | |
| B6-B7 | | | | | | | |
| V5 | | | | | | | |
| V6 | | | | | | | |

| HW | HW030 | | HW040 | |
|-------------------|-----------|-----------|-----------|-----------|
| | NMRV-P063 | NMRV-P075 | NMRV-P090 | NMRV-P110 |
| B3-B6-B7-B8-V5-V6 | 0,06 | 0,09 | 0,11 | 0,12 |

| H | A31 |
|-------|------|
| B3-B5 | 0,07 |

| NMRV | 063 | 075 | 090 | 105 | 110 |
|-------|-----|------|-----|-----|-----|
| B3 | 0,3 | 0,55 | 1 | 1,6 | 3 |
| B8 | | | | | 2,2 |
| B6-B7 | | | | | 2,5 |
| V5 | | | | | 3 |
| V6 | | | | | 2,2 |

DIRECTION OF ROTATION

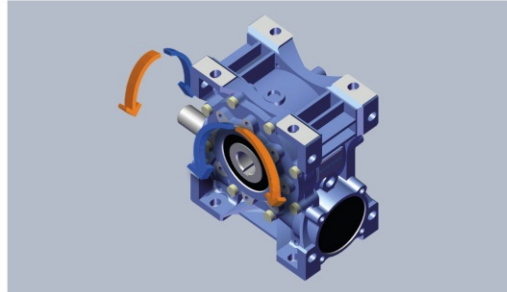
The worm screw rotation is right-handed.

DIRECTION OF ROTATION - HIGH SPEED SHAFT

NMRV - NRV - SW - ISW

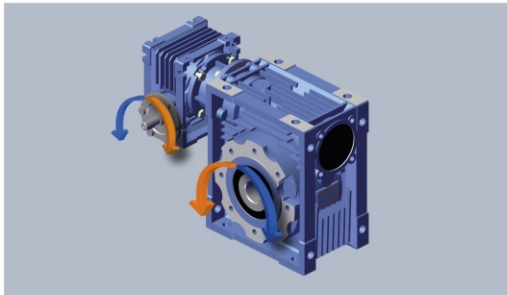


MOUNTING POSITION **B3**

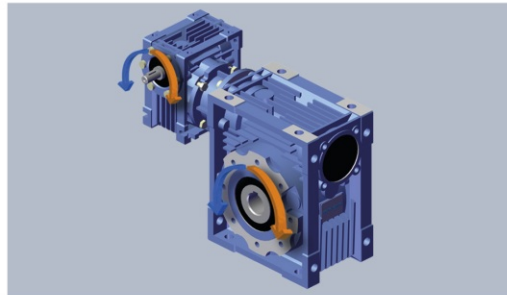


MOUNTING POSITION **B8**

NMRV + NMRV - SW + SW - NRV + NMRV - ISW + SW



MOUNTING POSITION **AS1**



MOUNTING POSITION **BS1**